

# 340

# 340e

# 345e

# 350

**Spare parts**

Replaces

**Ersatzteile**

Ersetzt

**Pièces détachées**

Remplace

**Reserve onderdelen**

Vervangt

**Repuestos**

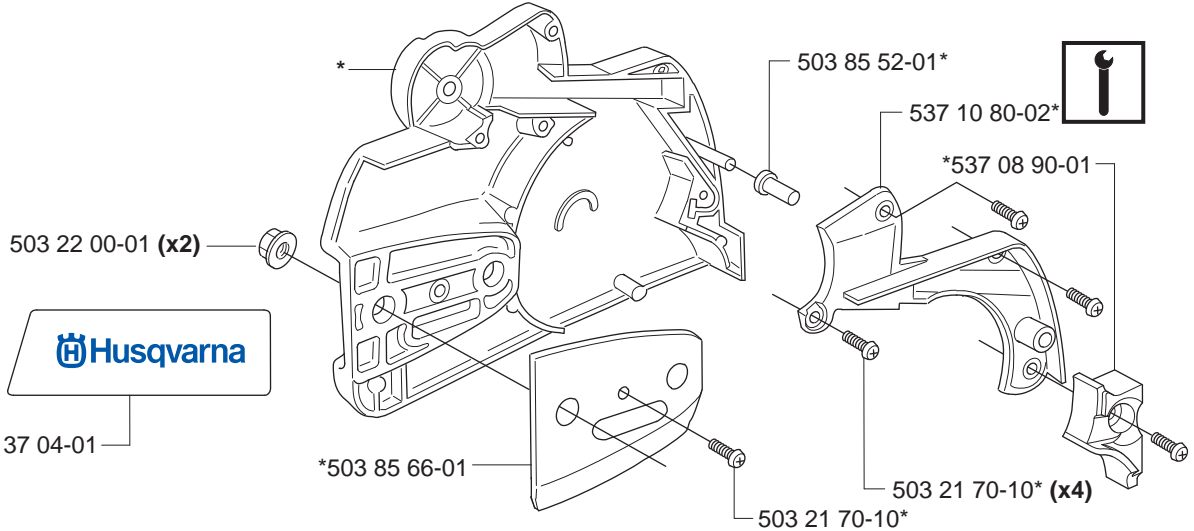
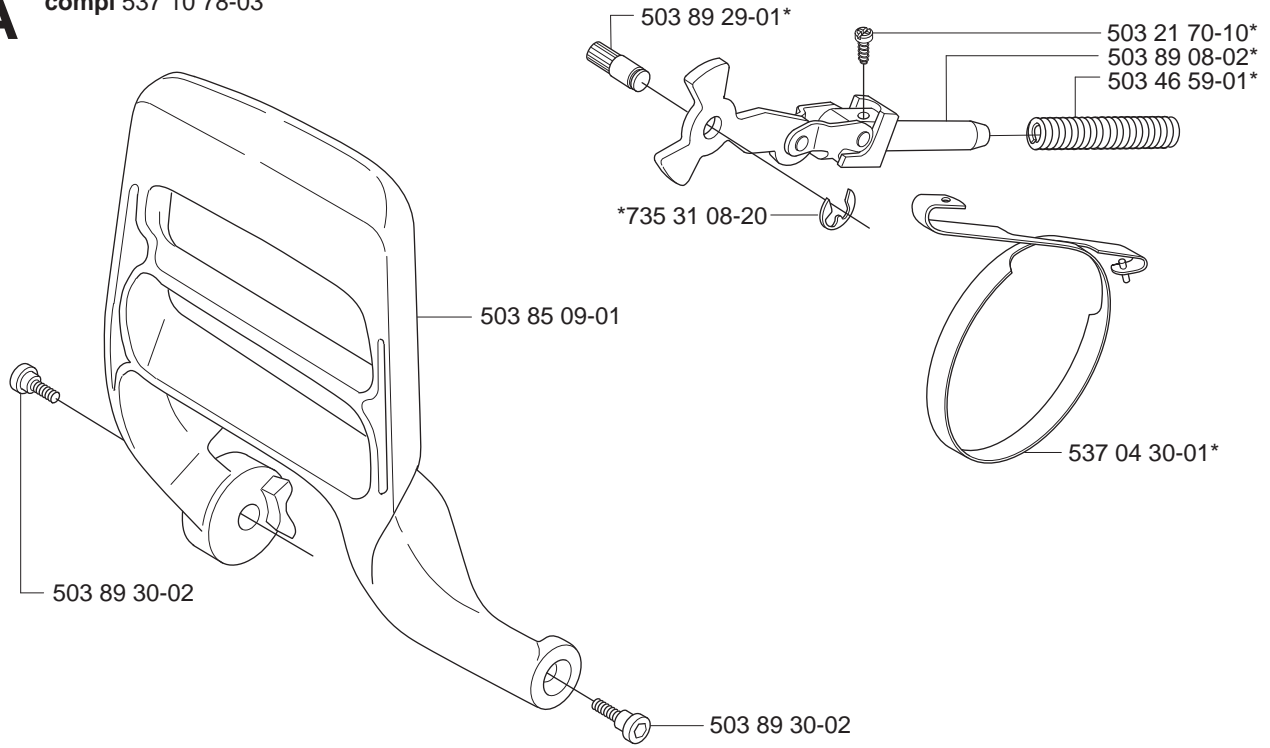
Reemplaza

**Reservdelar**

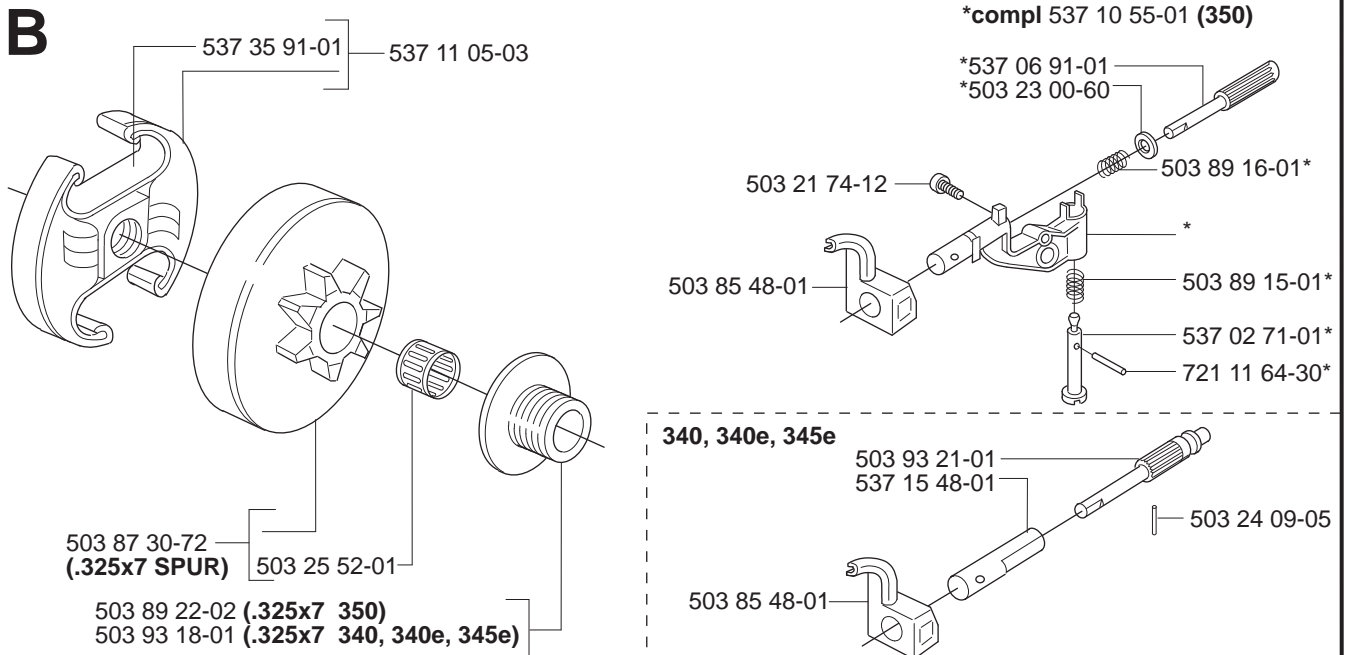
Ersätter

106 25 18-65

**A** \*compl 537 10 78-03



**B**

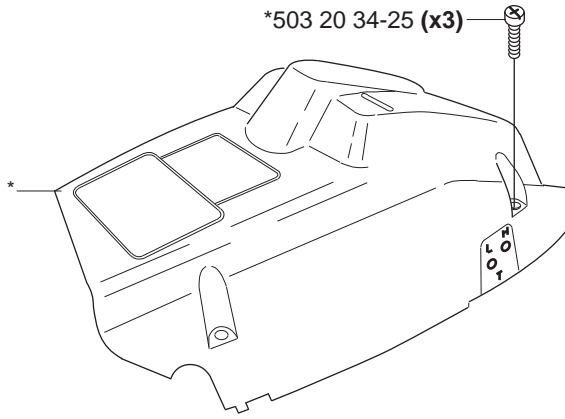


**C** \*compl 503 91 05-01 (340)

\*503 98 74-01



\*503 20 34-25 (x3)

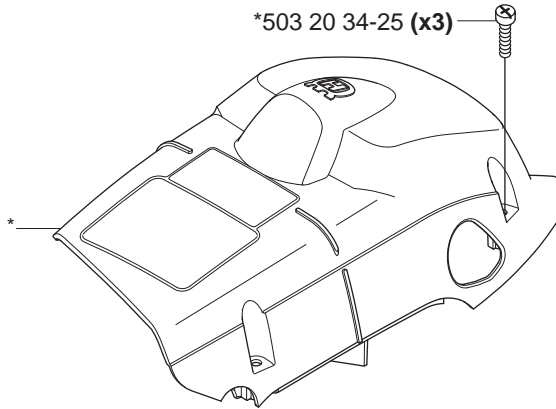


**C** \*compl 537 42 20-01 (340e, 345e)

\*503 98 74-01



\*503 20 34-25 (x3)

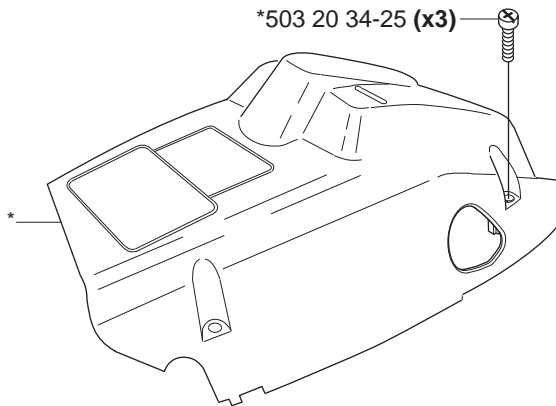


**C** \*compl 537 42 19-01 (350)

\*503 98 74-01

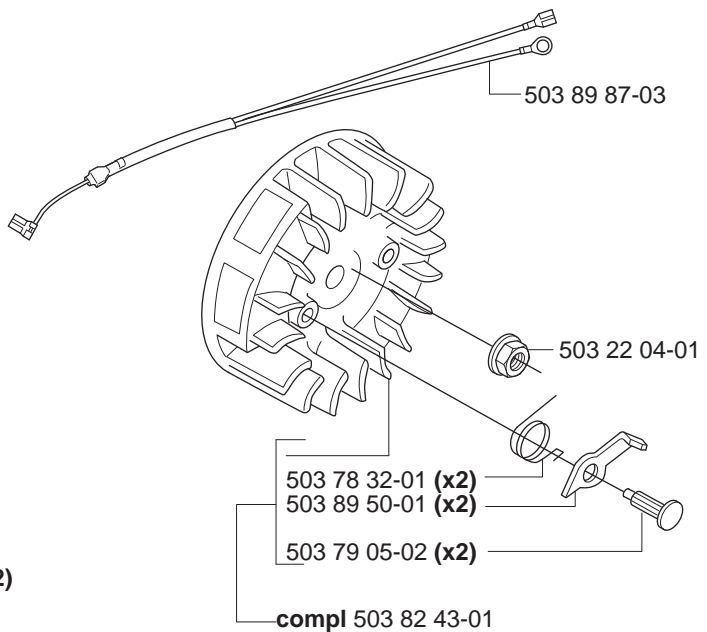
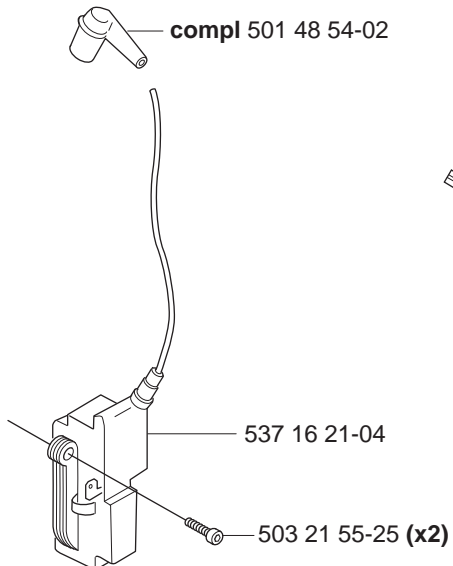


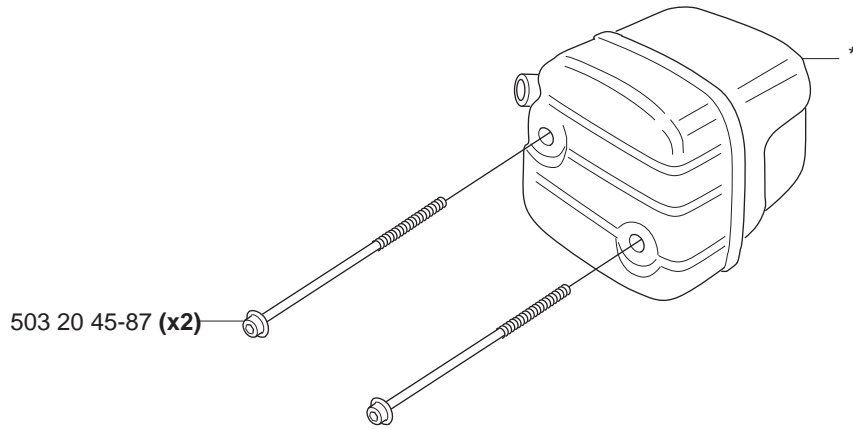
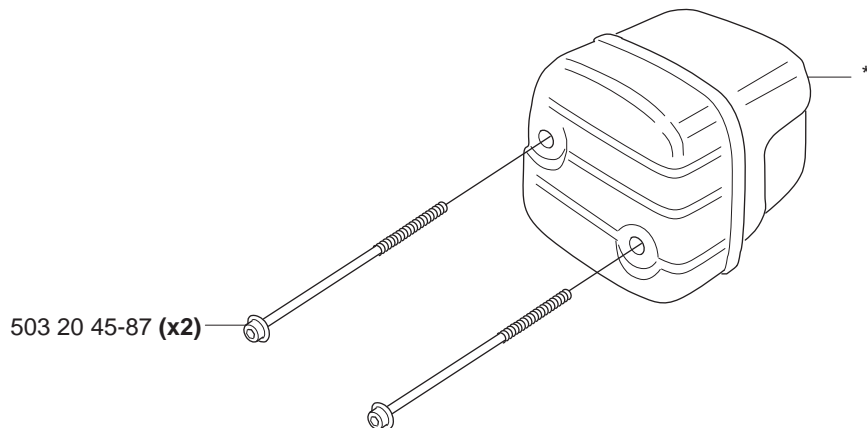
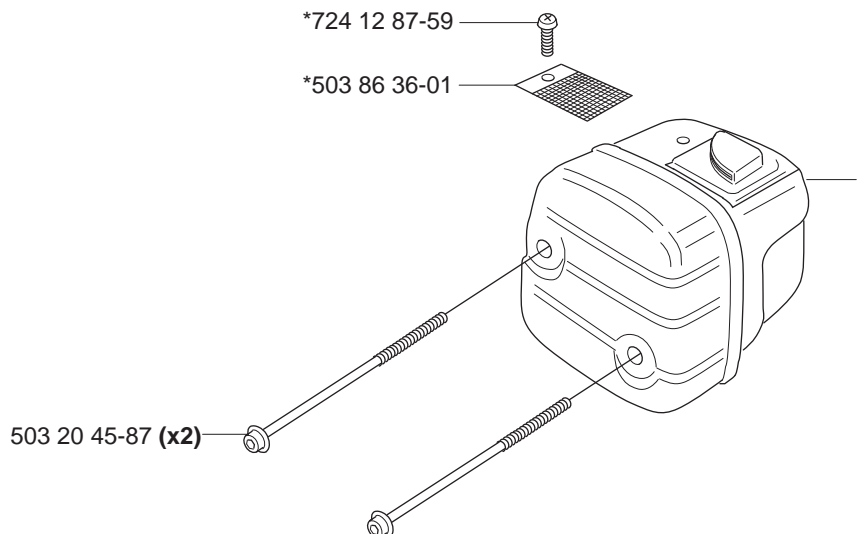
\*503 20 34-25 (x3)



**D**

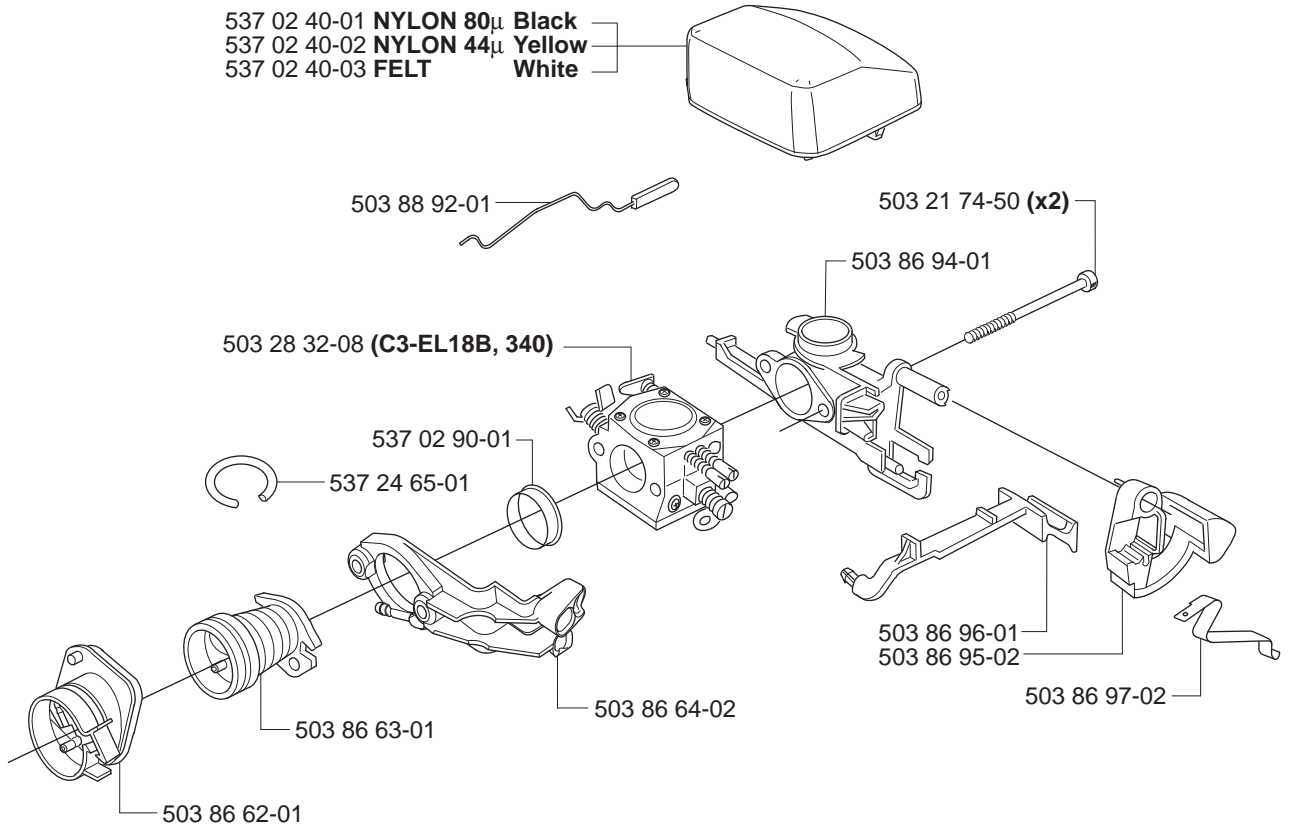
compl 501 48 54-02



**E****\*compl 503 86 27-03 (EU) 350****E****\*compl 503 87 96-02 (FG) 340, 340e, 345****E****\*compl 503 86 28-03 (DF) 340, 340e, 345, 350**

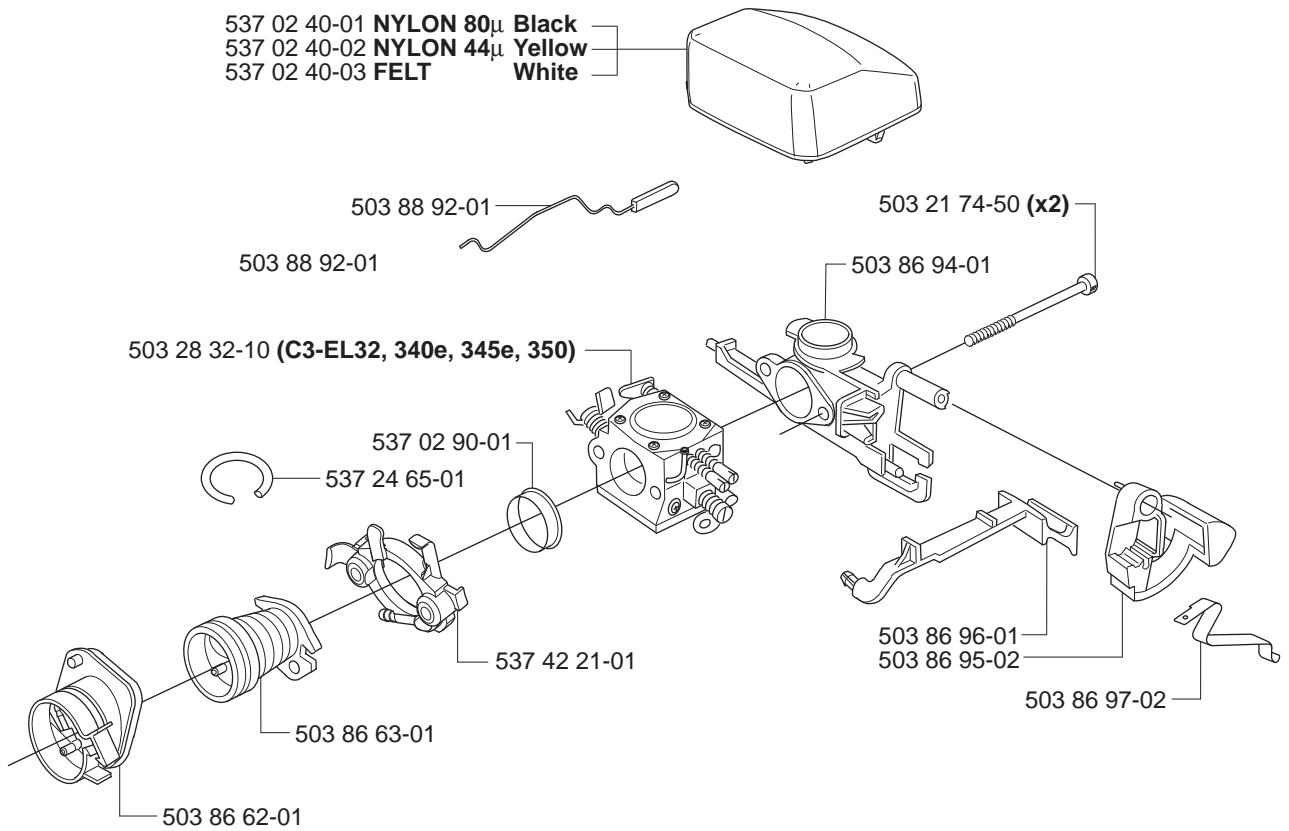
**F** 340

537 02 40-01 **NYLON 80 $\mu$  Black**  
 537 02 40-02 **NYLON 44 $\mu$  Yellow**  
 537 02 40-03 **FELT White**



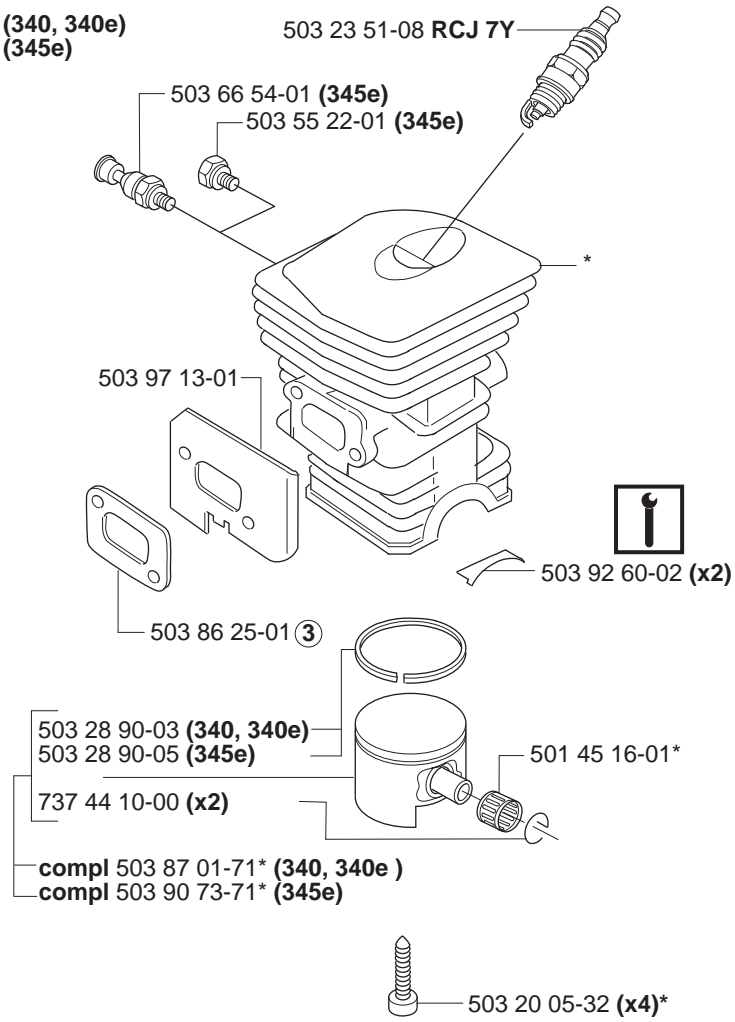
**F** 340e, 345e, 350

537 02 40-01 **NYLON 80 $\mu$  Black**  
 537 02 40-02 **NYLON 44 $\mu$  Yellow**  
 537 02 40-03 **FELT White**



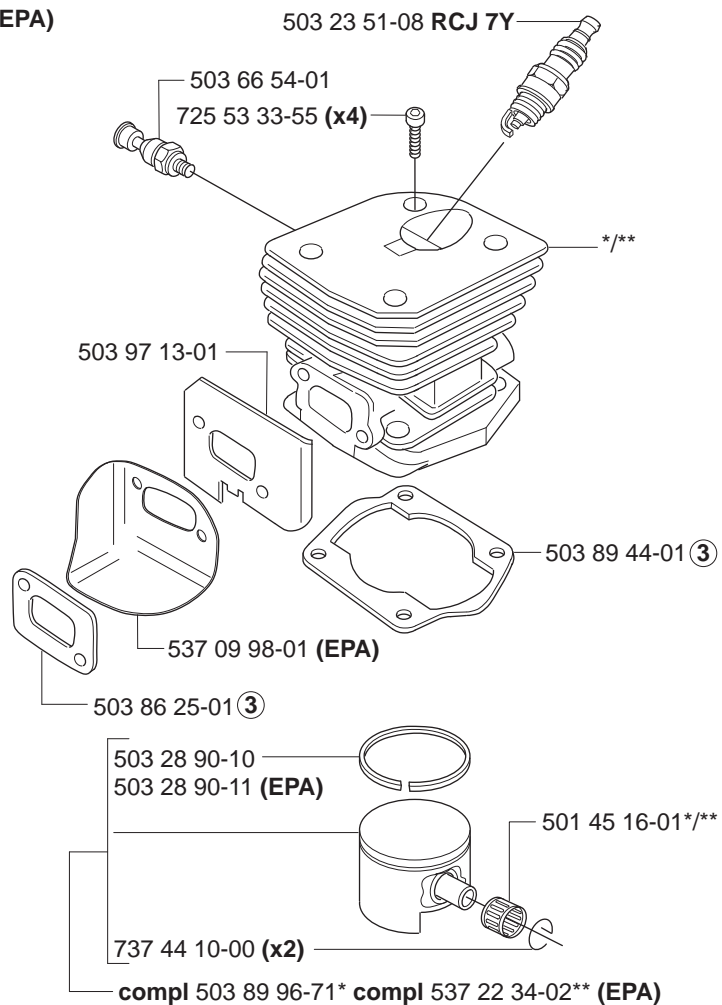
**G**

\*compl 503 87 00-76 (340, 340e)  
\*compl 503 87 02-76 (345e)

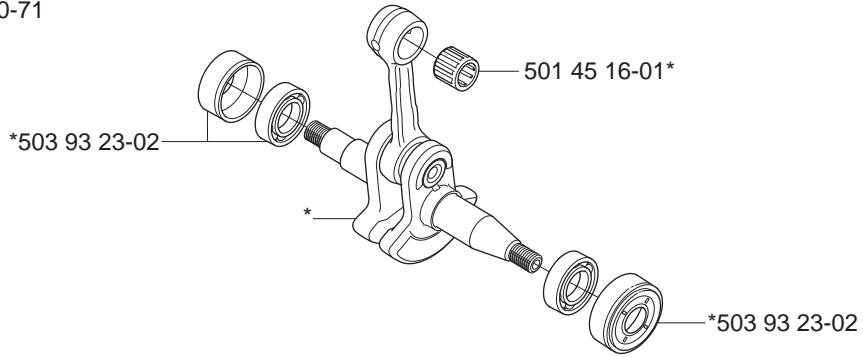


**G**

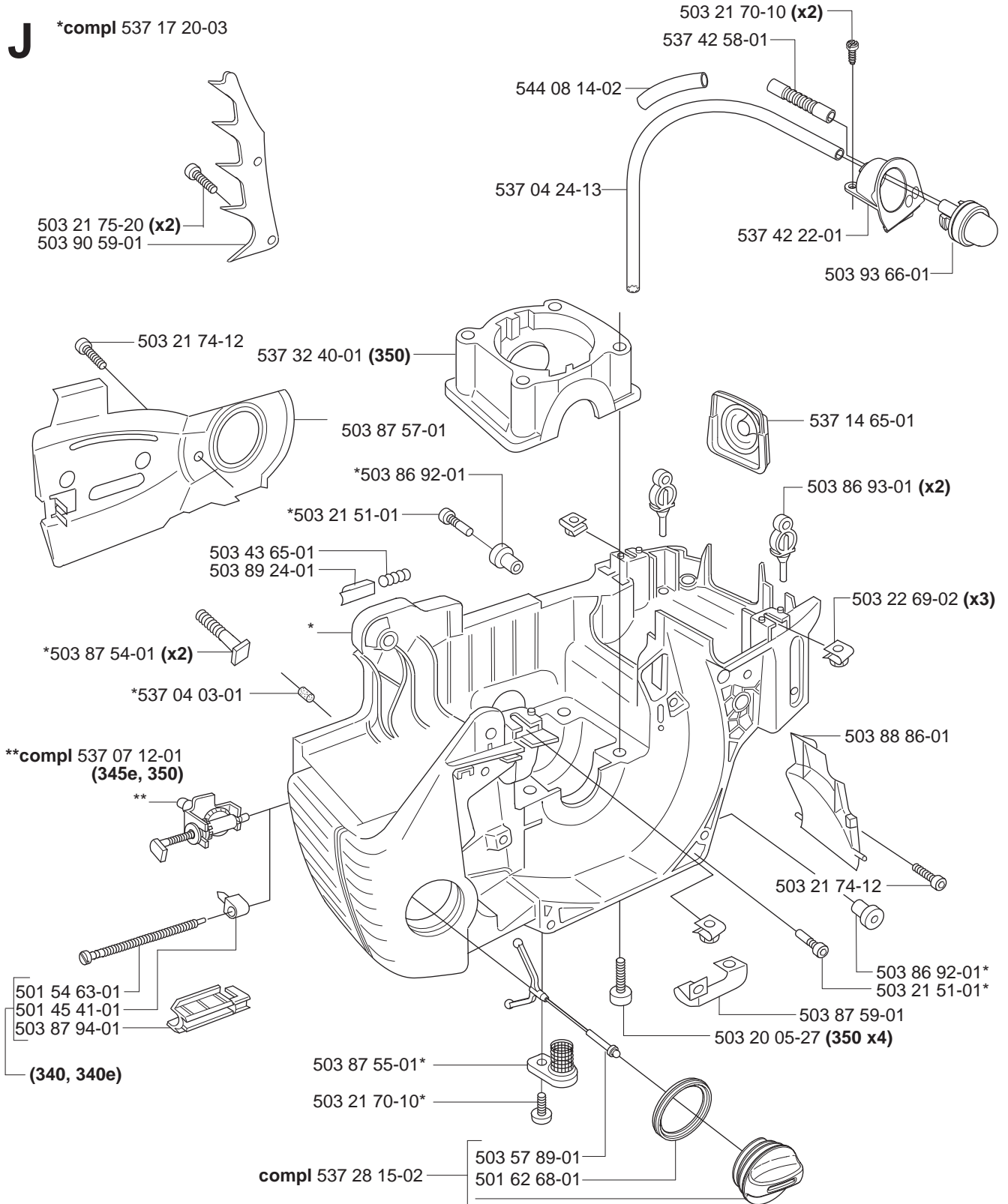
\*\*compl 537 25 30-02 (350EPA)  
\*compl 503 86 99-71 (350)



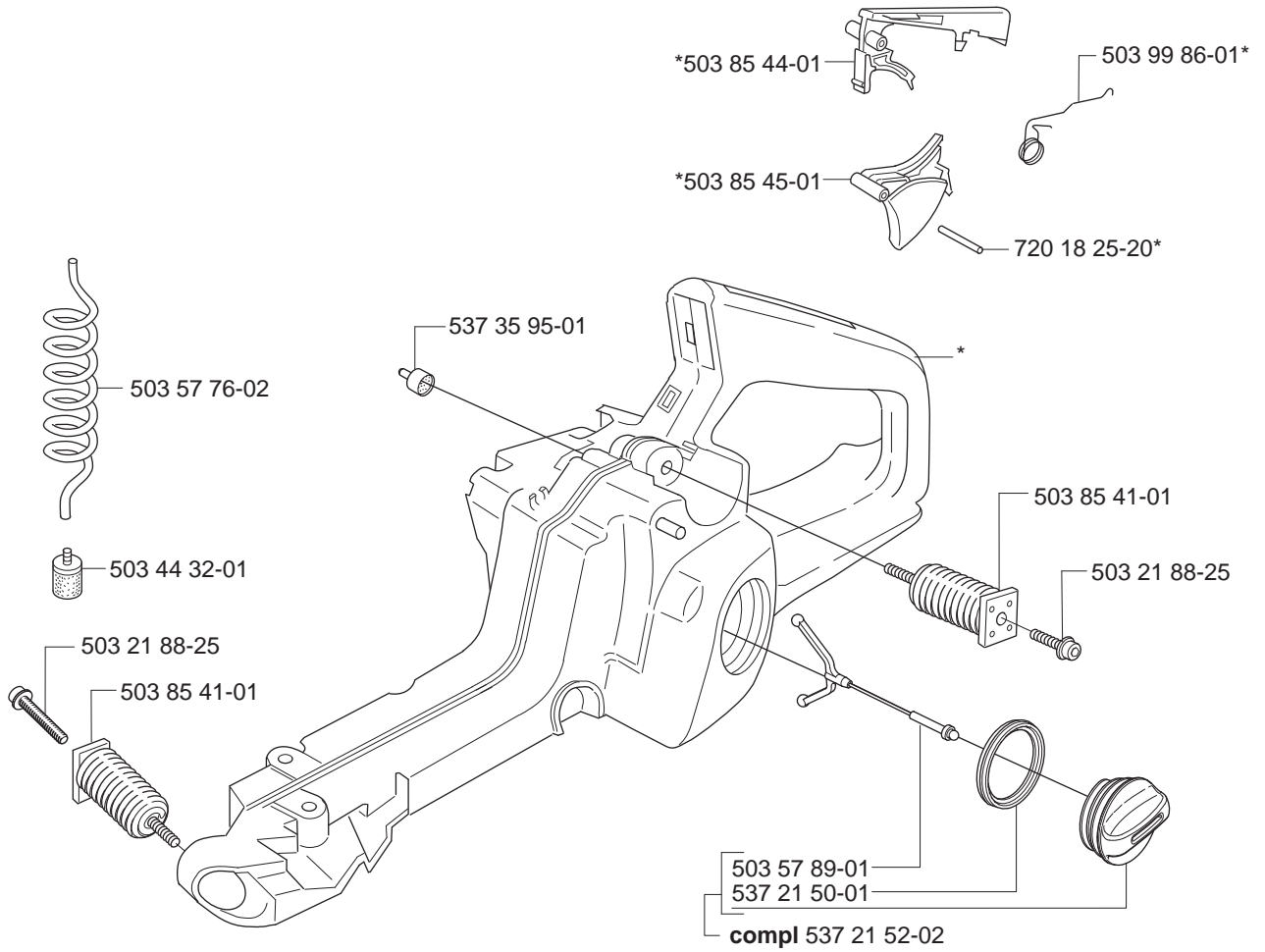
**H** \*compl 503 85 80-71



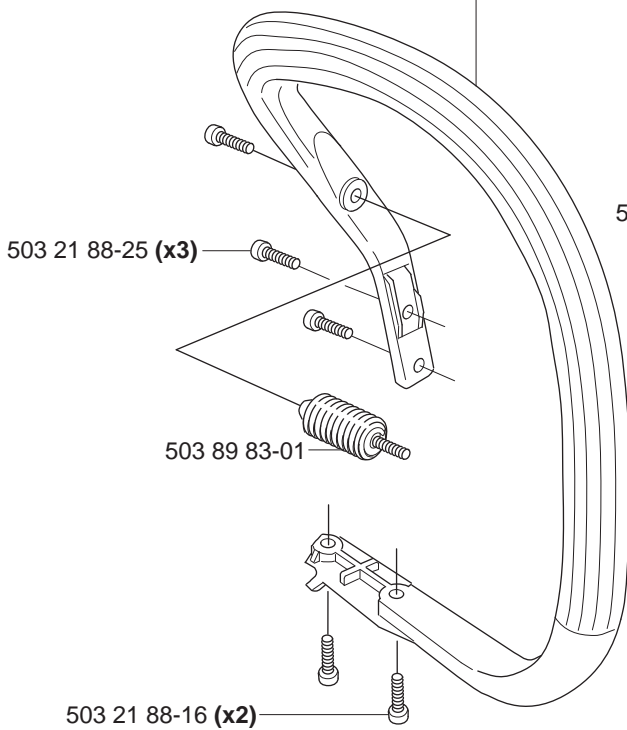
**J** \*compl 537 17 20-03



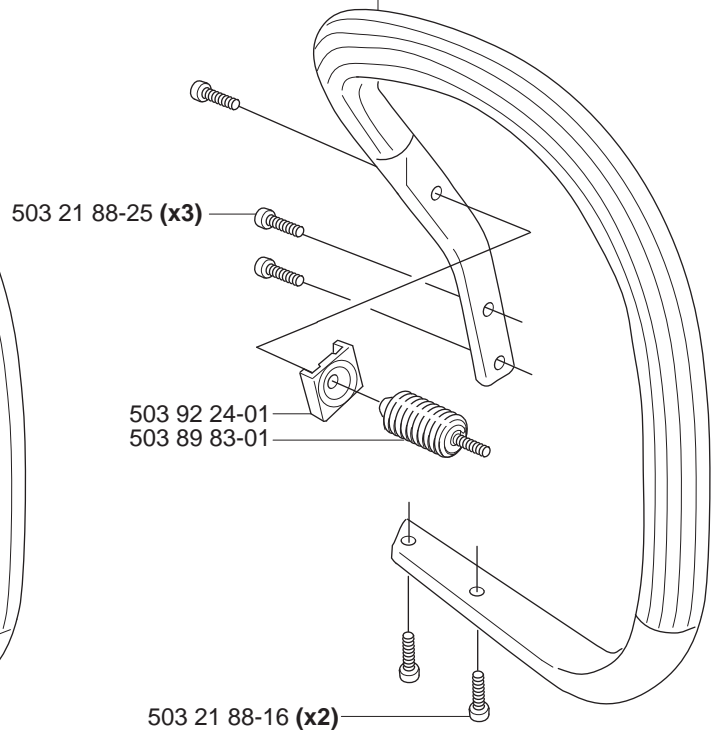
**K** \*compl 503 86 37-03



**L** 503 85 37-01 (340, 340e, 345e)

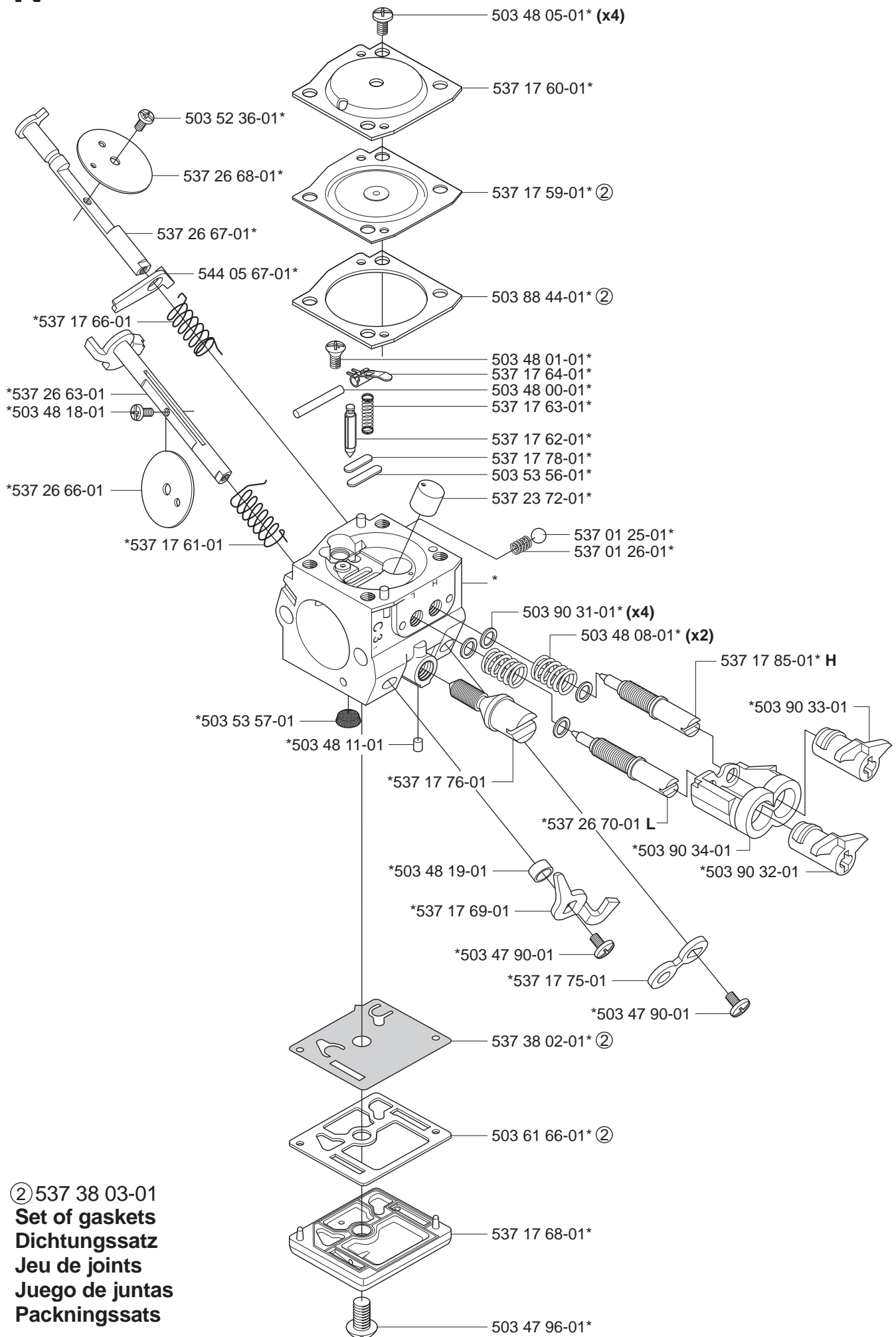


537 30 17-01 (350)

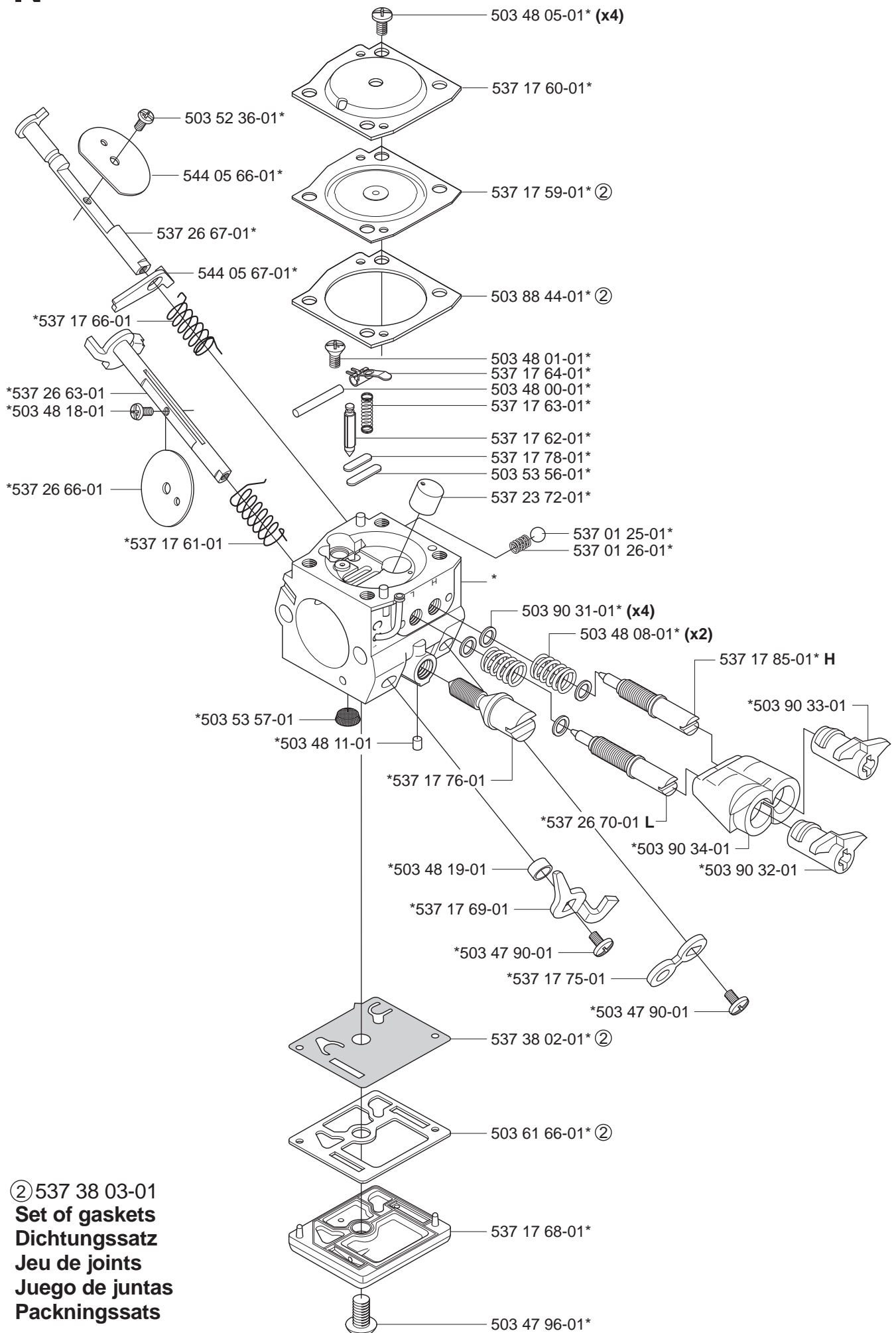






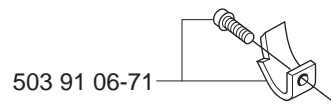
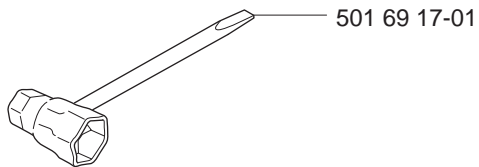


② 537 38 03-01  
**Set of gaskets**  
**Dichtungssatz**  
**Jeu de joints**  
**Juego de juntas**  
**Packningssatz**



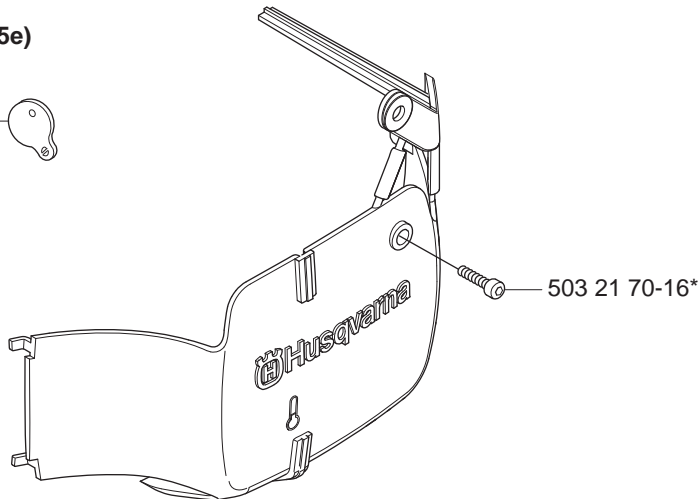
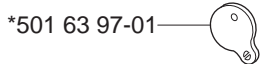
② 537 38 03-01  
**Set of gaskets**  
**Dichtungssatz**  
**Jeu de joints**  
**Juego de juntas**  
**Packningssats**

**P** Tillbehör  
Accessories  
Zubehöre  
Accessoires  
Accesorios



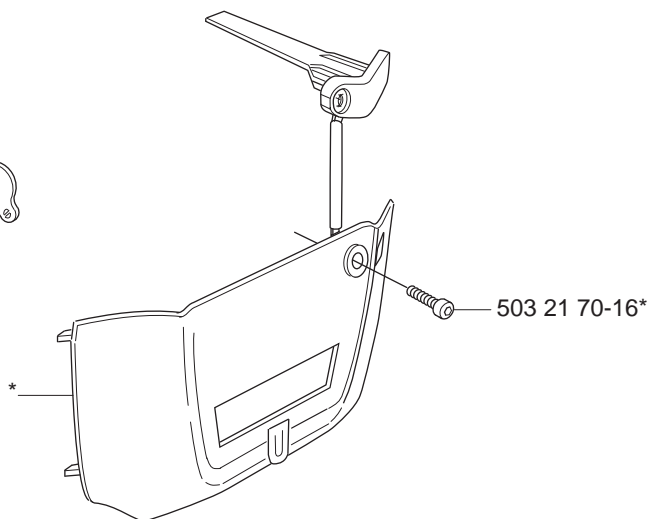
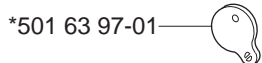
**Winter kit**

\*compl 537 42 29-01 (340e, 345e)  
Correction: 544 01 31-01

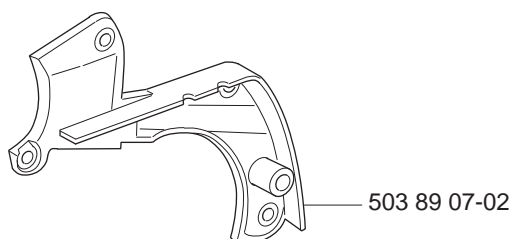


**Winter kit**

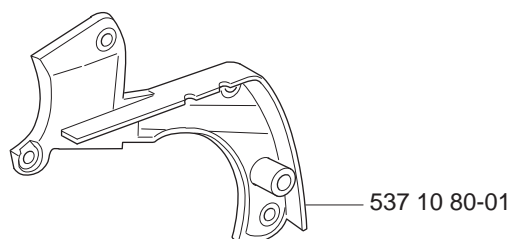
\*compl 537 04 28-02 (340, 350)



**Q** Up to 991499999

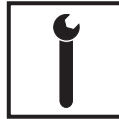


From 991500001  
to 001400001

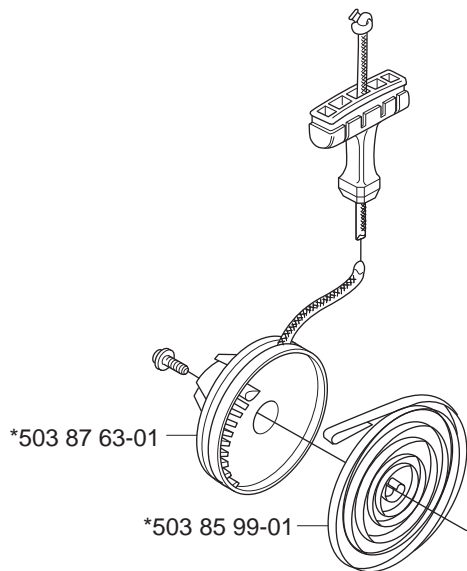




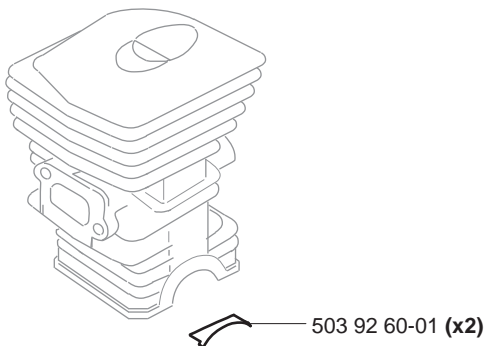
Up to 010604200 (340)  
 Up to 010602850 (345)  
 Up to 010702450 (350)



Up to 052299999 (345)

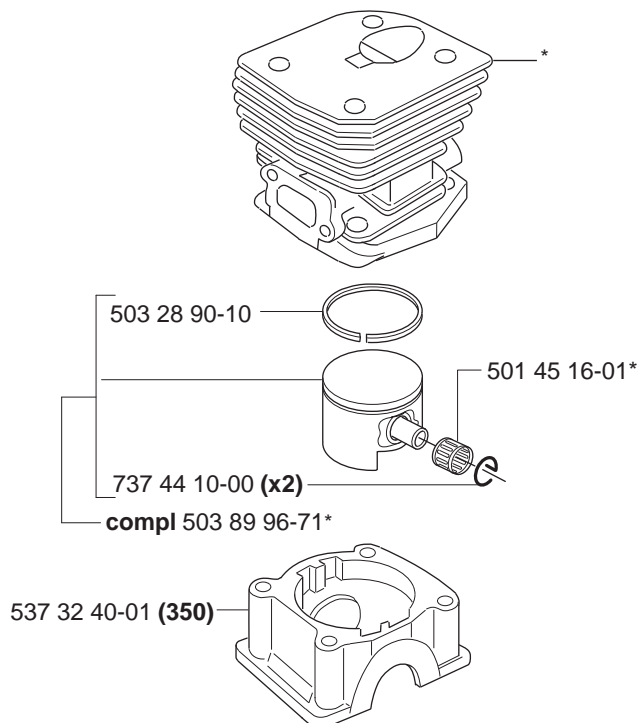


Up to 000601101 (340, 345)



Up to 030103001  
 Only EPA (350)

\*compl 503 89 99-71 (350)  
 Correction: 503 86 99-71



PART NUMBER	SQUARE	NOTE	PART NUMBER	SQUARE	NOTE	PART NUMBER	SQUARE	NOTE	PART NUMBER	SQUARE	NOTE
501 45 16-01	G,H,Q		503 85 99-01	Q		537 02 40-03	F		544 01 67-02	M	N
501 45 41-01	J		503 86 25-01	G	3	537 02 71-01	B		544 05 66-01	N	N
501 48 54-02	D		503 86 27-03	E		537 02 90-01	F		544 05 67-01	N	N
501 54 63-01	J		503 86 28-03	E		537 04 03-01	J		544 08 14-02	J	N
501 62 68-01	J		503 86 36-01	E		537 04 24-13	J	N	720 18 25-20	K	
501 63 97-01	P		503 86 37-03	K	N	537 04 28-02	P		721 11 64-30	B	
501 69 17-01	P		503 86 62-01	F		537 04 30-01	A		724 12 87-59	E	
503 20 05-27	J	N	503 86 63-01	F		537 06 91-01	B		725 53 33-55	G	
503 20 05-32	G		503 86 64-02	F		537 07 12-01	J		735 31 08-20	A	
503 20 34-25	C		503 86 92-01	J		537 08 90-01	A		737 44 10-00	G,Q	
503 20 45-87	E		503 86 93-01	J		537 09 25-01	M				
503 21 28-10	M	N	503 86 94-01	F		537 09 31-01	M				
503 21 29-10	M		503 86 95-02	F		537 09 98-01	G	EPA			
503 21 51-01	J		503 86 96-01	F		537 10 47-02	M				
503 21 55-25	D		503 86 97-02	F	N	537 10 55-01	B				
503 21 70-10	A,J		503 86 99-71	G		537 10 78-03	A	N			
503 21 70-16	P		503 87 00-76	G		537 10 80-01	Q				
503 21 73-21	M		503 87 01-71	G		537 10 80-02	A	N			
503 21 74-12	B,J		503 87 02-76	G		537 11 05-03	B	N			
503 21 74-50	F		503 87 30-72	B		537 14 65-01	J				
503 21 75-20	J		503 87 54-01	J		537 15 48-01	B				
503 21 77-16	M		503 87 55-01	J		537 16 21-04	D	N			
503 21 88-16	L		503 87 57-01	J		537 17 20-03	J	N			
503 21 88-25	K,L		503 87 59-01	J		537 17 59-01	N	2			
503 22 00-01	A		503 87 63-01	Q		537 17 60-01	N				
503 22 04-01	D		503 87 94-01	J		537 17 61-01	N				
503 22 69-02	J		503 87 96-02	E		537 17 62-01	N				
503 23 00-60	B		503 88 44-01	N	2	537 17 63-01	N				
503 23 51-08	G		503 88 86-01	J		537 17 64-01	N				
503 24 09-05	B		503 88 92-01	F		537 17 66-01	N				
503 25 52-01	B		503 89 06-01	M		537 17 68-01	N				
503 28 32-08	F,N		503 89 07-02	Q		537 17 69-01	N				
503 28 32-10	F	N	503 89 08-02	A		537 17 75-01	N				
503 28 90-03	G		503 89 15-01	B		537 17 76-01	N				
503 28 90-05	G		503 89 16-01	B		537 17 78-01	N				
503 28 90-10	G,Q		503 89 22-02	B		537 17 85-01	N				
503 28 90-11	G	EPA	503 89 24-01	J		537 21 50-01	K	N			
503 43 65-01	J		503 89 29-01	A		537 21 52-02	K	N			
503 44 32-01	K		503 89 30-02	A		537 22 34-02	G	EPA			
503 46 59-01	A		503 89 44-01	G	3	537 23 25-01	M	N			
503 47 90-01	N		503 89 50-01	D		537 23 72-01	N				
503 47 96-01	N		503 89 83-01	L		537 24 65-01	F				
503 48 00-01	N		503 89 87-03	D	N	537 25 30-02	G	EPA			
503 48 01-01	N		503 89 96-71	G,Q		537 26 63-01	N				
503 48 05-01	N		503 89 99-71	Q		537 26 66-01	N				
503 48 08-01	N		503 90 31-01	N		537 26 67-01	N				
503 48 11-01	N		503 90 32-01	N		537 26 68-01	N				
503 48 18-01	N		503 90 33-01	N		537 26 70-01	N				
503 48 19-01	N		503 90 34-01	N		537 28 15-02	J	N			
503 52 36-01	N		503 90 59-01	J		537 30 17-01	L	N			
503 53 56-01	N		503 90 73-71	G		537 32 40-01	J,Q				
503 53 57-01	N		503 91 05-01	C		537 35 91-01	B	N			
503 54 39-01	M		503 91 06-71	P		537 35 95-01	K	N			
503 55 22-01	G		503 92 24-01	L		537 37 04-01	A				
503 57 76-02	K		503 92 60-01	Q		537 37 05-01	M				
503 57 89-01	J,K		503 92 60-02	G		537 37 05-02	Q				
503 61 66-01	N	2	503 93 18-01	B		537 37 05-03	M				
503 66 54-01	G		503 93 21-01	B		537 38 02-01	N	N, 2			
503 78 32-01	D		503 93 23-02	H		537 38 03-01	N	N			
503 79 05-02	D		503 93 66-01	J	N			2=Compl			
503 82 43-01	D		503 97 13-01	G		537 42 19-01	C	N			
503 85 09-01	A		503 98 24-02		N	537 42 20-01	C	N			
503 85 37-01	L				3=Compl	537 42 21-01	F	N			
503 85 41-01	K		503 98 74-01	C		537 42 22-01	J	N			
503 85 44-01	K		503 99 86-01	K		537 42 29-01	M,P	N			
503 85 45-01	K		505 30 51-25	M		537 42 33-01	M	N			
503 85 48-01	B		537 01 25-01	N		537 42 34-01	M	N			
503 85 52-01	A		537 01 26-01	N		537 42 58-01	J	N			
503 85 66-01	A		537 02 40-01	F		537 42 66-01	M	N			
503 85 80-71	H		537 02 40-02	F		544 01 67-01	M	N			

2 = 537 38 03-01  
3 = 503 98 24-02

Set of gaskets, Dichtungssats,  
Jeu de joints, Juego de juntas,  
Packningssats

N = New part, Neues teil,  
Nouvelle piece, Nueva pieza  
Ny detalj

EPA = Environmental Protection Agency  
(for USA/Canada only)